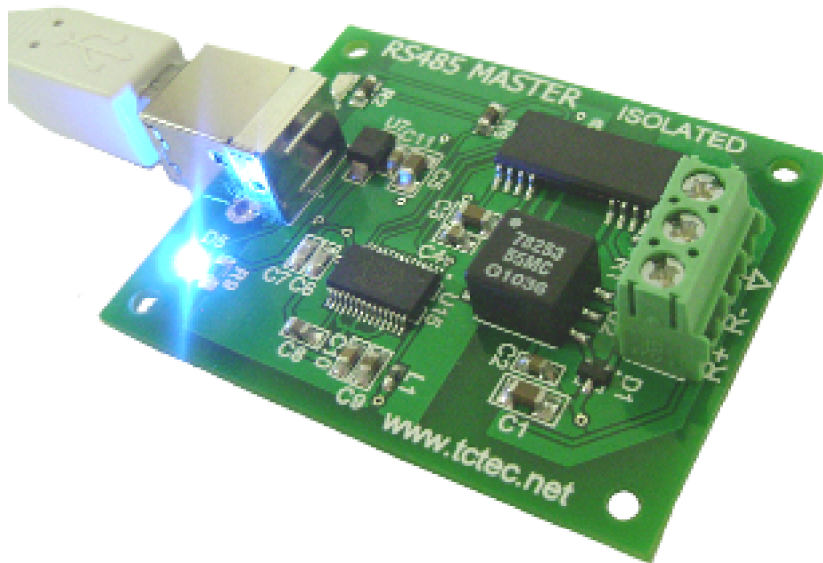


RS485 MASTER

Isolated USB to RS485 Module

User Manual



Version 1.1

www.tctec.net

<u>PRODUCT DESCRIPTION.....</u>	<u>3</u>
<u>SYSTEM REQUIREMENTS.....</u>	<u>3</u>
<u>SPECIFICATIONS.....</u>	<u>4</u>
<u>SOFTWARE.....</u>	<u>4</u>
<u>PHYSICAL DIMENSIONS.....</u>	<u>5</u>

Product Description

The RS485 MASTER is an isolated USB to RS485 converter.

It can communicate serially over a 2 wire RS485 network to a maximum of 32 nodes.

The RS485 MASTER can operate as a virtual comport or addressed via dll or shared library.

Recommended baud rates from 300 to 500kHz.

Galvanic Isolation; 2500V RMS between the USB and RS485 side.

LEDs indicate power on and communication activity.

System Requirements

The RS485 Master will work with most operating systems supported by the FTDI chip-set :

*Windows 7, Windows 7 x64 ,Windows Server 2008 ,
Windows Server 2008 x64*

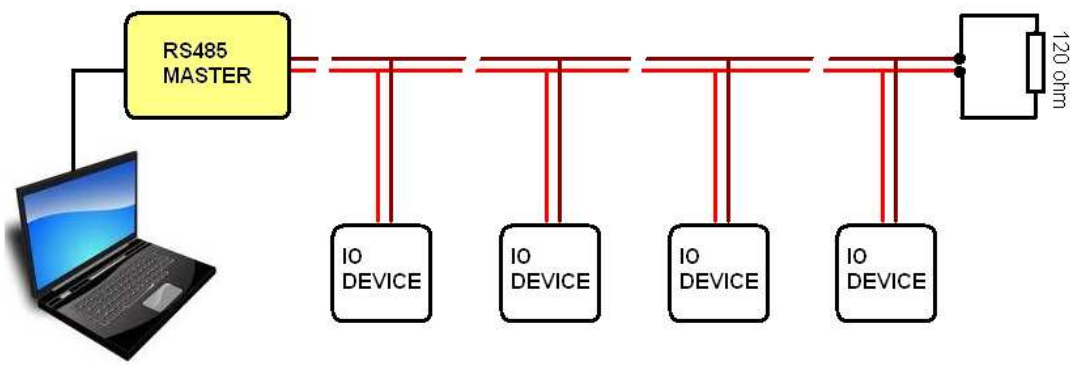
*Windows Vista,Windows Vista x64, Windows Server 2003,
Windows Server 2003 x64, Windows XP, Windows XP x64,
Windows 2000*

*Windows ME , Windows 98, Linux, Mac OS X, Mac OS 9,
Mac OS 8,*

Windows CE.NET (Version 4.2 and greater)

Specifications

Current consumption:	200 mA
Supply:	USB powered
Operating temperature range	-30 C to 70 C
Dimensions:	
Isolation (USB to RS485 side):	2500V RMS
RS485 Termination resistor of 120 ohms is installed.	

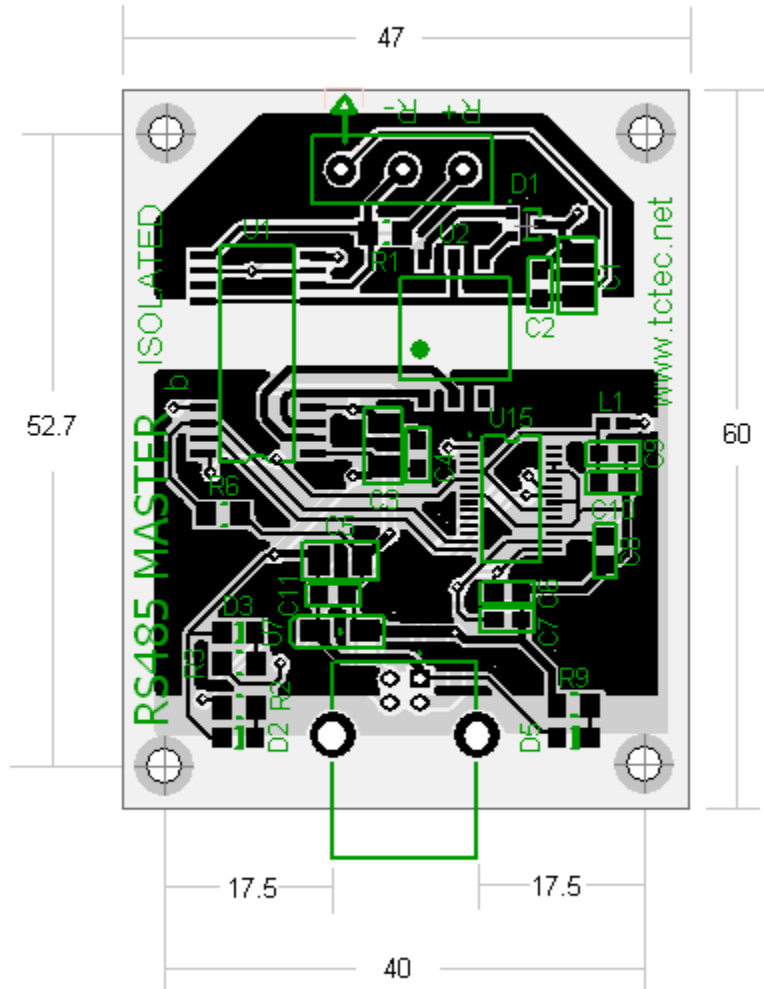


Software

Please check for the latest software on our website:
www.tctec.net

For communication commands see
RS485 command summary.pdf

Physical Dimensions



Dimensions in mm

Disclaimer

This device should not be used in applications where failure may result in death or injury without proper consideration and design of associated system architecture and redundant safety features.

The manufacturer, tctec pty ltd accepts no responsibility for injury, death or loss caused by the use or misuse of this device.